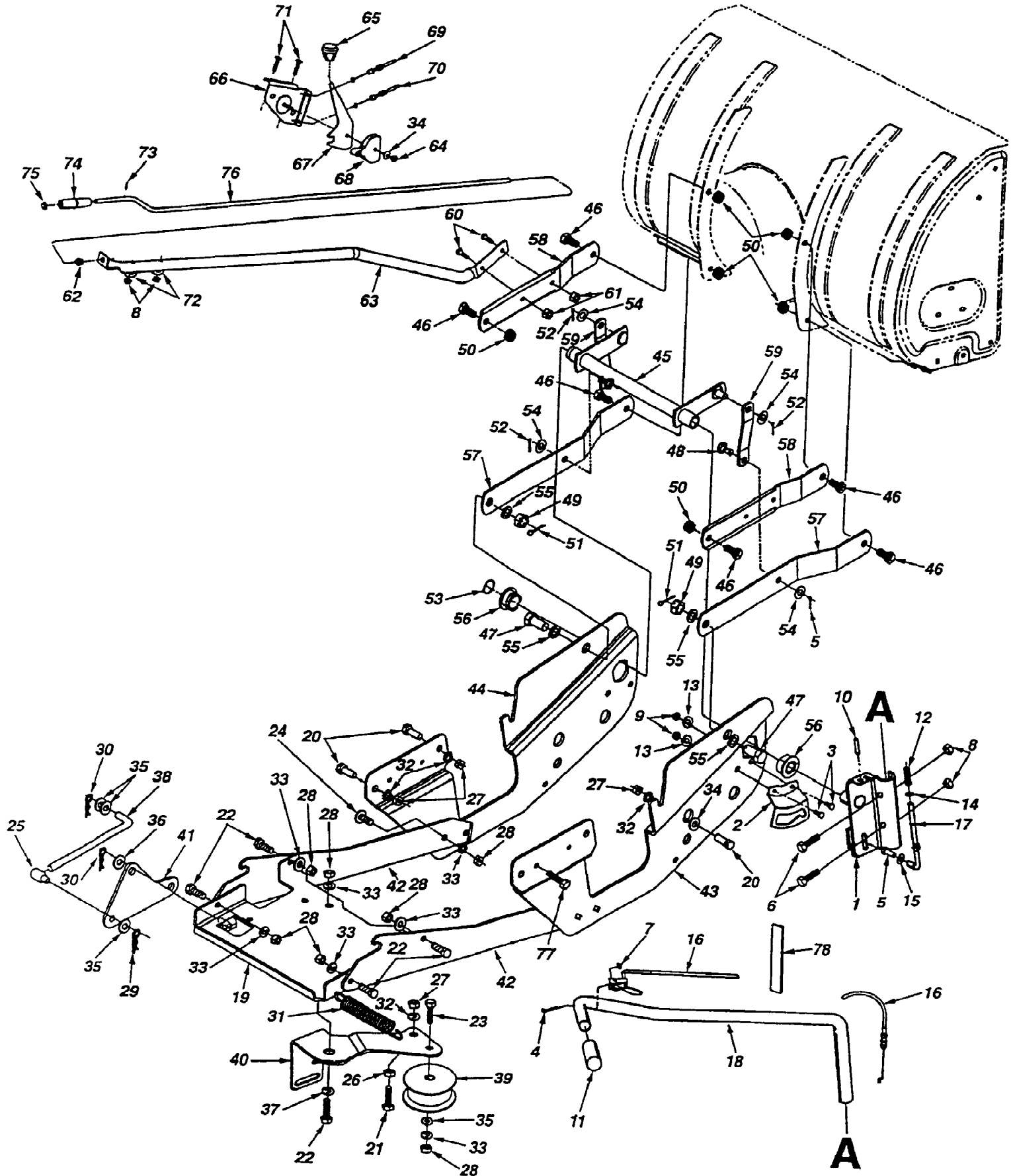


190-621-000 (1997)
Blade And Lift Bracket Assembly



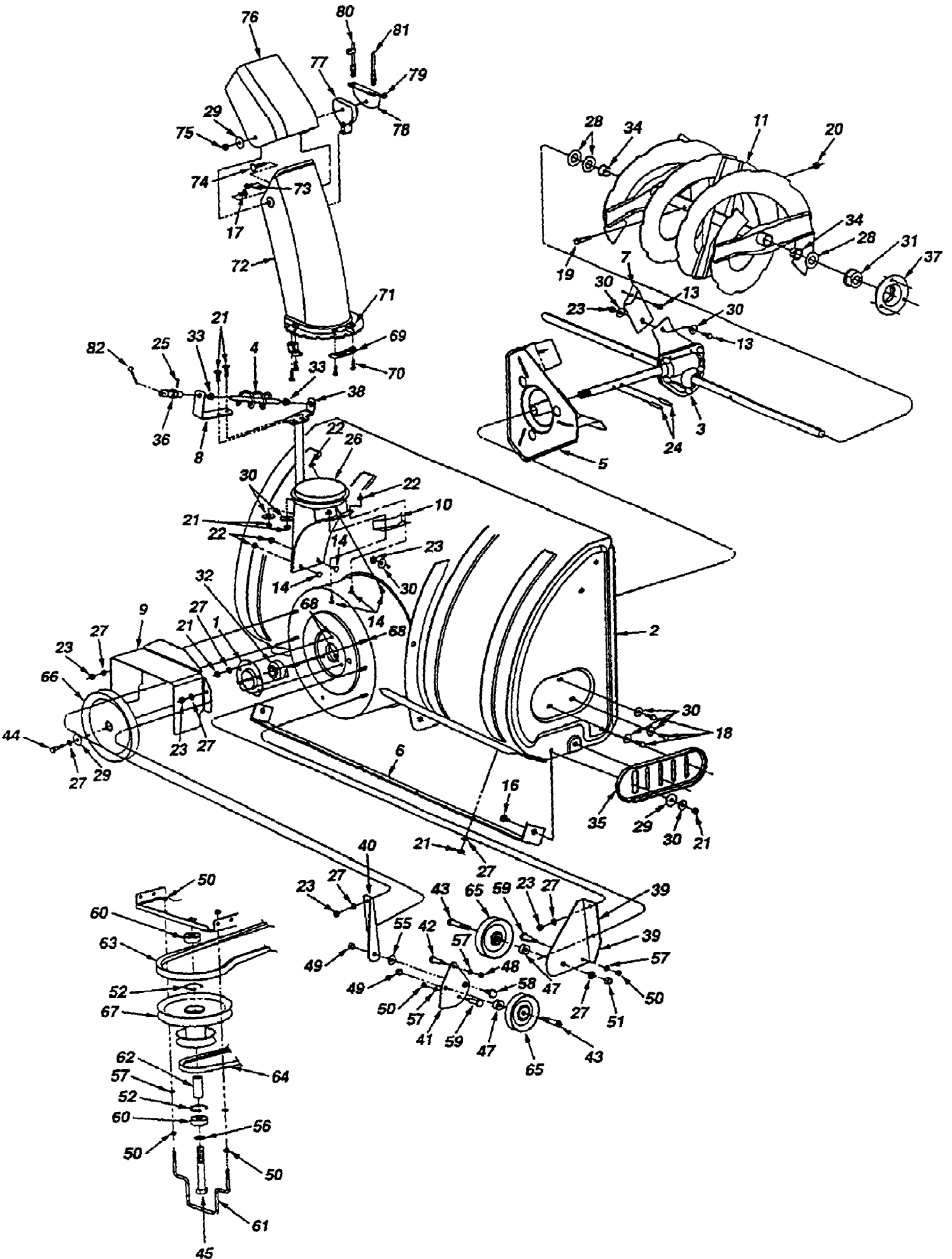
Ref #	Part Number	Qty	S/P/F	Description
1	683-0130	1	S	Lift Bracket Ass'y.
2	703-2728A	1		Lift Bracket
3	710-0157	1	/P	Hex Bolt 5/16-24 x .75" Lg. (Gr. 5)
4	710-1233	1	/P	Oval C-Sunk Scr. #10-24 x 1.36" Lg.
5	710-1238	1	/P	Hex Wash. Hd. Scr. 5/16-18 x .87" Lg.
6	710-3180	1	/P	Hex Bolt 5/16-18 x 1.75" Lg.
7	712-0127	1	/P	Flat Weld Nut #10-24 Thd.
8	712-3004A	1	/P	Hex Flange L-Nut 5/16-18 Thd.
9	712-3057	1	S	Hex Nut 5/16-18 Thd. (Gr. 5)
10	715-0114	1	S	Spring Pin 1.5" Lg.
11	720-0274	1	/P	Grip
12	732-0306	1	S	Ext. Spring 1.75" Lg.
13	736-0119	1	S/F	L-Wash. 5/16 I.D.
14	736-0140	1	S	FI-Wash .385" I.D. x .62" O.D.
15	736-0400	1	S	FI-Wash .194" I.D. x.62" O.D.
16	746-3060	1	S	Lift Cable New Part
17	747-3248A	1	S	Lift Index Rod New Part
18	750-1028	1	S	Lift Handle Tube New Part
19	683-0133	1	S	Pulley Mounting Brkt. Ass'y.
20	710-0376	1	/P	Hex Bolt 5/16-18 x 1" Lg. (Gr. 5)
21	710-0395	1	/P	Hex Bolt 5/16-18 x 2.25" Lg.
22	710-0514	1	/P	Hex Bolt 3/8-16 x 1" Lg.
23	710-3144	1	/P	Hex Bolt 3/8-16 x 2" Lg. (Gr. 5)
24	710-3168	1	/P	Carriage Bolt 3/8-16 x 1" Lg. (Gr. 5)
25	711-0198	1	S	Ferrule 3/8-24 Thd,
26	712-3007	1	/P	Hex Jam Nut 5/16-18 Thd.
27	712-3010	1	S	Hex Nut 5/16-18 Thd. (Gr. 5)
28	712-3017	1	S	Hex Nut 3/8-16 Thd. (Gr. 5)
29	714-0101	1	S	Hairpin Clip 1.42" Lg.
30	714-0145	1	S	Hairpin Clip 1.62" Lg.
31	732-0773	1		Ext. Spring 5.5" Lg.
32	736-0119	1	S/F	L-Wash. 5/16" I.D.
33	736-0169	1	S/F	L-Wash. 3/8" I.D.
34	736-0242	1	/P	Bell-Wash .345" I.D. x.88" O.D.
35	736-0300	1	S	FI-Wash .406" I.D. x .875" O.D.
36	736-3019	1		FI-Wash .531" I.D. x 1" O.D.
37	738-0347	1	S	Shoulder Spacer
38	747-0533	1	S	Adj. Clutch Control Rod
39	756-0218	1	/P	Idler Pulley
40	783-0358	1	S	Idler Bracket
41	783-0359	1	S	Idler Engagement Bracket
42	783-0362	1	S	Hanger Bracket
43	783-0372	1	S	Side Plate - R.H.
44	783-0373	1	S	Side Plate - L.H.
45	650-0004	1		Tube Ass'y.
46	710-0865	1		Hex Bolt 1/2-13 x 1" Lg. (Gr.5)
47	710-0964A	1		Hex Bolt 5/8-18 x 1.25" Lg. (Gr. 5)
48	711-0332	1	S	Lift Bracket Pin
49	712-0386A	1	/P	Hex Slotted Nut 5/8-18 Thd.
50	712-3022	1	/P	Hex Cent. L-Nut 1/2-13 Thd. (Gr. 5) New Part
51	714-0470	1	S	Cotter Pin 1.25" Lg.
52	714-0474	1	S	Cotter Pin,75" Lg.
53	716-9102	1		Snap Ring

190-621-000 (1997)

Page 3 of 6

Blade And Lift Bracket Assembly

Ref #	Part Number	Qty	S/P/F	Description
54	736-0272	1	S	FI-Wash .51" I.D. x 1" O.D.
55	736-0366	1	/P	FI-Wash. 5/8" I.D. x 1" O.D.
56	741-0170	1	S	Flange Bearing w/Flats
57	783-0380	1	S	Link 15.80" Lg.
58	783-0381	1	S	Link 11.75" Lg.
59	783-0382	1	S	Link 4.88" Lg.
60	710-0442	1	S	Hex Bolt 5/16-18 x 1.5" Lg.
61	712-3004A	1	/P	Hex Flange L-Nut 5/16-18 Thd.
62	741-0475	1	S	Plastic Bushing
63	750-1029	1		Chute Support Tube
64	712-3068	1	S	Hex Jam Nut 5/16-18 Thd.
65	720-0232	1	S	Knob
66	603-0302	1	S	Chute Tilt Brkt. Ass'y. New Part
67	784-5604	1	S	Chute Tilt Handle
68	731-1313	1	S	Cable Guide
69	746-0929	1	S	Chute Control Cable w/Clip
70	746-0928	1		Chute Control Cable
71	710-0262	1	/P	Carriage Bolt 5/16-18 x 1.5" Lg.
72	736-0451	1	S	Saddle Wash .32" I.D.
73	715-0138	1	S	Roll Pin .63" Lg.
74	720-0201A	1	/P	Chute Crank Knob
75	726-0100	1	S	Push Cap 3/8" Rod
76	747-3247	1		Chute Crank Rod New Part
77	710-0642	1	/P	Hex Wash. Hd. Tap Scr. 1/4-20 x.75" Lg. Used On Riders Made Before 1995
78	725-0157	1	/P	Cable Tie



Ref #	Part Number	Qty	S/P/F	Description
1	05931	1	S	Bearing Housing
2	603-0281	1		Housing Ass'y. New Part
3	618-0161	1	S	Gear Ass'y. 40" Auger New Part
4	684-0061	1	S	Lower Chute Crank Ass'y. New Part
5	684-0065	1	S	Impeller Ass'y. New Part
6	703-2715	1		Skid Plate Bracket New Part
7	703-2734	1		Housing Brace Bracket New Part
8	703-2735A	1		Chute Crank Bracket New Part
9	703-2736	1		Belt Cover New Part
10	705-5226	1		Chute Reinforcement
11	705-5269	1		Spiral Ass'y.- R.H. New Part
	705-5270	1		Spiral Ass'y.- L.H. New Part. (Not Shown)
13	710-0157	1	/P	Hex Bolt 5/16-24 x .75" Lg. (Gr. 5)
14	710-0167	1	/P	Carriage Bolt 1/4-20 x .5" Lg.
?15	710-0260	1	S	Carriage Bolt 5/16-18 x .62" Lg.
16	710-0276	1	/P	Carriage Bolt 5/16-18 x 1" Lg.
17	710-0451	1	/P	Carriage Bolt 5/16-18 x .75" Lg.
18	710-0604	1	S	Hex Wash. Hd. TT-Scr. 5/16-18 x .62" Lg.
19	710-0890A	1	/P	Shear Bolt 5/16-18 x 1.5" Lg.
20	712-0429	1	S	Hex L-Nut 5/16-18 Thd.
21	712-3010	1	S	Hex Nut 5/16-18 Thd. (Gr. 5)
22	712-3027	1	S	Hex Flange L-Nut 1/4-20 Thd.
23	712-3057	1	S	Hex Nut 5/16-24 Thd. (Gr. 5)
24	715-0114	1	S	Spring Pin 1.5" Lg.
25	715-0129	1		Spiral Pin .818" Lg.
26	731-1379	1	S	Chute Adapter
27	736-0119	1	S/F	L-Wash. 5/16" I.D.
28	736-0188	1	/P	FI-Wash .76" I.D. x 1.49" O.D.
29	736-0231	1	S	FI-Wash .344" I.D. x 1.125" O.D.
30	736-0242	1	/P	Bell-Wash .345" I.D. x .88" O.D.
31	741-0245	1	S	Hex Flange Bearing .75" I.D.
32	741-0309	1	S	Flange Ball Bearing .75" I.D.
33	741-0475	1	S	Plastic Bushing .38" I.D.
34	741-0493A	1	/P	Flange Bushing .8" I.D.
35	784-5038B	1	S	Slide Shoe
36	784-5149	1	S	Joint Block Ass'y.
37	784-5618	1	S	Hex Bearing Housing
38	784-5647	1	S	Chute Crank Bracket
39	703-2729	1		Idler Bracket - R.H. New Part
40	703-2741	1		Idler Bracket - L.H. New Part
41	703-2742	1		Idler Plate New Part
42	710-0206	1	/P	Hex Bolt 1/4-20 x .875" Lg.
43	710-0347	1	/P	Hex Bolt 3/8-16 x 1.75" Lg. (Gr. 5)
44	710-0672	1	/P	Hex Bolt 5/16-24 x 1.25" Lg. (Gr. s)
45	710-3151	1	/P	Hex Bolt 5/8-18 x 4.25" Lg. (Gr. 5)
?46	710-3180	1	/P	Hex Bolt 5/16-18 x 1.75" Lg.
47	711-0242	1	S	Spacer
48	712-0291	1	S	Hex Cent. L-Nut 1/4-20 Thd.
49	712-0431	1	S	Flanged L-Nut 3/8-16 Thd.
50	712-3006	1	/P	Hex Nut 1/4-20 Thd. (Gr. 5)
51	712-3017	1	S	Hex Nut 3/8-16 Thd. (Gr. 5)
52	716-3020	1	S	Snap Ring
?53	732-0262	1	S	Extension Spring

190-621-000 (1997)
Gear And Crank Assembly

Page 6 of 6

Ref #	Part Number	Qty	S/P/F	Description
?54	736-0169	1	S/F	L-Wash. 3/8" I.D.
55	736-0272	1	S	FI-Wash .51" I.D. x 1" O.D.
56	736-0290	1	/P	FI-Wash. 5/8" I.D. x 1" O.D.
57	736-0329	1	S/F	L-Wash. 1/4" I.D.
58	738-0147	1		Shld. Bolt .5" Dia. x .17" Lg.
59	738-0572	1	S	Shld. Bolt.374" Dia. x 1.16" Lg.
60	741-0524	1	S	Ball Bearing 5/8" I.D.
61	747-3250	1		Belt Guard Rod New Part
62	750-3164	1		Spacer .635" I D. New Part
63	754-0449	1	S	"Y"-Belt
64	754-3039	1	S	"V"-Belt New Part
65	756-0399	1	S	Idler Pulley
66	756-0430	1		Auger Pulley
67	756-3080	1		Double Pulley
68	710-1307	1		Clinch Bolt 5/16-18 x .75" Lg.
69	731-0851A	1	/P	Chute Flange Keeper
70	710-3015	1	/P	Hex Bolt 1/4-20 x .75" Lg.
71	712-3027	1	S	Hex Flanged L-Nut 1/4-20 Thd.
72	731-1300A	1	S	Lower Chute
73	710-0896	1	/P	Hex Wash. Hd. AB-Tap Scr. 1/4" x 5/8" Lg.
74	710-0262	1	/P	Carriage Bolt 5/16-18 x 1.5" Lg.
75	712-3068	1	S	Hex Jam L-Nut 5/16-18 Thd.
76	731-1320	1	S	Upper Chute
77	731-1313	1	S	Cable Guide
78	784-5594	1		Cable Bracket
79	712-0429	1	S	Hex L-Nut 5/16-18 Thd.
80	746-0929	1	S	Chute Control Cable w/Clip
81	746-0928	1		Chute Control Cable
82	714-0507	1	S	Cotter Pin .75" Lg.